

METROPOLITAN NY CHAPTER Refrigeration Service Engineers Society

Continued Education for the HVAC/R Industry

“Better Service Through Knowledge”

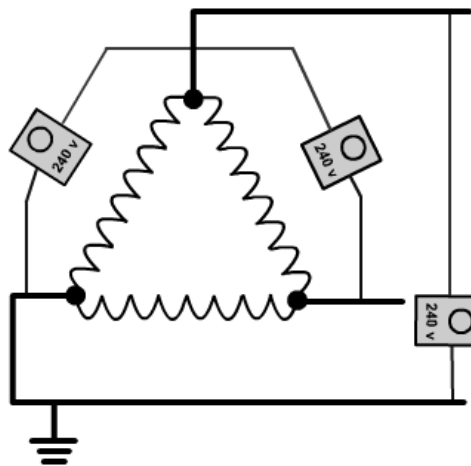
March 2010

WWW.METRONYRSES.ORG

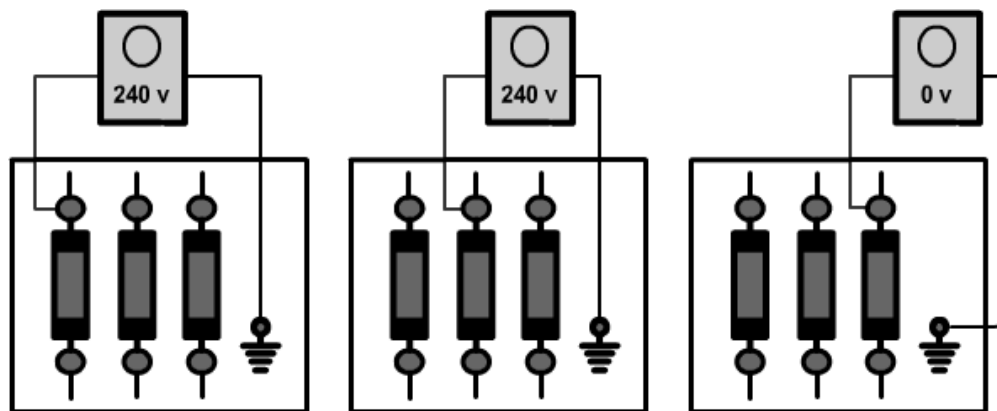


Corner Grounded Delta Transformers

A corner grounded delta transformer system was used on some older industrial applications. It is not normally used today on new applications, but technicians working on industrial equipment may occasionally come across this type of system. It is a three-phase transformer arrangement in which the secondary side of the transformer is a delta-connection with one corner of the delta solidly grounded, as shown below.



One of the unique characteristics of this type of transformer setup is noticed when measuring its secondary voltages. Across any two phases you will read 240 volts, as would be expected. However, when reading the phase to ground voltage readings you will see readings quite different from other transformer configurations. On two of the phases to ground you will read 240 volts, not 120 volts as you would normally expect, and on the other phase to ground you will read 0 volts (this is the grounded phase).



If you encounter this type of system, do not misinterpret these readings as a problem. It is simply the characteristic of its design.

JOHNSTONE [®] **Supplies Equipment**
JOHNSTONE **SUPPLY**
HVAC/R
 Parts
 Supplies
 Equipment
 27-01 BROOKLYN QUEENS EXPRESSWAY WEST WOODSIDE, NY 11377
 FAX (718) 274-4972
 Large Local Stock
 Free Catalogue
718-545-4896
 WHOLESALE ONLY

Supco

SEALED UNIT PARTS CO., INC.
 P.O. BOX 21
 2230 LANDMARK PLACE
 ALLENWOOD, NJ 08720 USA
 (732) 223-6644
 FAX: (732) 223-1617

CSI
Support Services for the HVAC Contractor

 HVAC Water Treatment

 Specialty Cleaning
 Pipe • Duct • Coil

 HVAC Antifreeze

 Lab Services

 Indoor Air Quality

718-361-6666
 www.csiontheweb.com

UR TM
UNITED REFRIGERATION INC.
 Refrigeration, Air Conditioning, Heating, Supplies, Equipment & Parts
Jim Herlinger
 Branch Manager
 51-05 59th Place
 Woodside, NY 11377-7408
 Tel: 718 476-2600
 Fax: 718 476-2648
 Branchv2@uri.com

HALSEY ^{SUPPLY CO. INC.}
 FOR ALL YOUR
 •
 AIR CONDITIONING
 REFRIGERATION
 •
 EQUIPMENT
 PARTS SUPPLIES
 •
 EPA-CERTIFICATION TESTING
 241 HALSEY STREET
 BROOKLYN, NY 11216
(718) 574-4774
 FAX (718) 574-4778

COMING EVENTS

Small Duct, High Velocity A/C Systems
 Refrigeration Piping Problems
 Troubleshooting Electric Motors
 Variable Frequency Drives
 Scroll Compressors

If you have any suggestions or requests for future programs, please let us know!

SEE US 1st

Sid Harvey's
 WHOLESALE DISTRIBUTORS
 Refrigeration/AC/Heating
 BROOKLYN (718) 257-4039
 99-03 Foster Ave.
 JAMAICA (718) 526-0330
 139-29 Queens Blvd.
 MT. VERNON (914) 668-3631
 551 S. Columbus Ave.


Fire Ice Mechanical Inc.
 HVAC/R Service Contractors
KURT J. EGGERT
 Vogt Tube-Ice Authorized Dealer/
 Sales & Factory Certified Technicians
 Goldenrod Distributor;
 The Newest in Water Treatment Technology
 Air Conditioning & Refrigeration
 Tel (718) 631-1503
 Fax (718) 279-4686

ThermatiX Supply
 Plumbing, Heating, and Air Conditioning Supplies
 "We keep you supplied"

 73 Broadway, Hicksville, NY 11801
 toll free: (877) 390-9421
 tel: (516) 513-0985 / 0986
 fax: (516) 620-5942
 email: sales@thermatixsupply.com


 49-70 31st STREET
 L.I.C., NY 11101
 Phone: 718-937-9000
 Fax: 718-392-1296
 1-800-937-9000


Riccardo's by the bridge

WEDDINGS
OUR SPECIALTY
 • Special Attention Given To
 Dinner Dances • Company Parties
 Cocktail Parties • Business Meetings
 Fund Raisers • Fashion Shows
 Engagement Parties • Christenings
 Special Discounts Given to Senior Citizens
Riccardo's by the bridge
 21-01 24th Avenue, Astoria, NY 11102
 718 721-7777
 ANTHONY M. CORBISIERO
 RICHARD F. CORBISIERO



&



-Technical Training-
Coming to the Metro New
York area

Recommended for:
HVACR Service Techs
HVACR Electricians
HVACR Contractors
HVACR Students

**SATURDAY,
MARCH 20TH,
2010**

8:30am – 5:00pm

Location:

Riccardo's Catering
21-01 24th Avenue
Astoria, N.Y. 11102
(718) 721-7777

**FULL DAY
2 SESSIONS
with Hot Lunch
served**

VARIABLE FREQUENCY DRIVES
&
SCROLL COMPRESSORS



Seminar



WE WILL COVER:

Morning Session: Variable Frequency Drives (VFDs)

- How VFDs generate Variable Frequency
- Basic Drive Components
- Installation Techniques and Precautions
- Using VFDs in Variable Torque HVAC Applications

Afternoon Session: Scroll Compressors

- Scroll Operation, Anatomy & Characteristics
- Scroll Compliance
- Key Design Features
- Why Scroll Compressors Fail

This program utilizes lecture, field examples, computerized demonstrations, handout materials and encourages audience participation. A certificate of completion will be mailed to all participants.

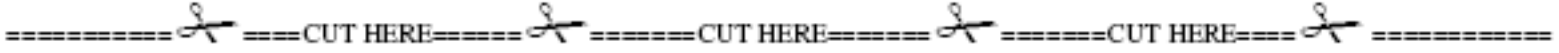
The cost for full program, including morning & afternoon refreshment breaks and full service, hot sit-down lunch is:
\$105 for RSES members, \$130 for non-members.

Brought to you by:

**R.S.E.S.
REFRIGERATION SERVICE ENGINEERS SOCIETY
METRO NY CHAPTER**

For Further Information Call: Stan Hollander @ 718 232-6679

REGISTER EARLY – SEATING LIMITED



Variable Frequency Drives and Scroll Compressors SEMINAR 3/20/10

RSES Membership # (if applicable) _____

NAME _____ COMPANY NAME _____

ADDRESS _____ CITY _____ STATE _____ ZIP _____

PHONE: DAY # _____ NIGHT # _____

WANT TO USE CREDIT CARD? # _____ EXP. DATE _____

MAKE CHECKS PAYABLE TO: METRO NY RSES
MAIL CHECKS ALONG WITH THIS REGISTRATION FORM (DETACHED) TO:
STAN HOLLANDER; 1837 61ST STREET; BROOKLYN, NY 11204

METROPOLITAN NEW YORK CHAPTER, RSES

For Information Call: Stan Hollander, CMS (718) 232-6679

Due to the cancellation of the February program, we will have the previously announced election of Officers and Directors at this coming March meeting.

COMING MARCH 20th:

**ALL DAY SEMINAR – 2 SESSIONS (Morning & Afternoon)
VFD (Variable Frequency Drive) Motors
plus Scroll Compressor Technology**

Wednesday March 10th, 2010 at 7:30pm

at

RICCARDO'S

21-01 24th Avenue, Astoria NY 11102

**Small Duct, High Velocity
Air Conditioning Systems**

By

Rob Morrison — Unico Systems, Inc.

PLACE LABEL HERE

**EDUCATIONAL PROGRAM
Wednesday March 10th, 2010
at 7:30pm
SEE DETAILS — THIS PAGE**

